

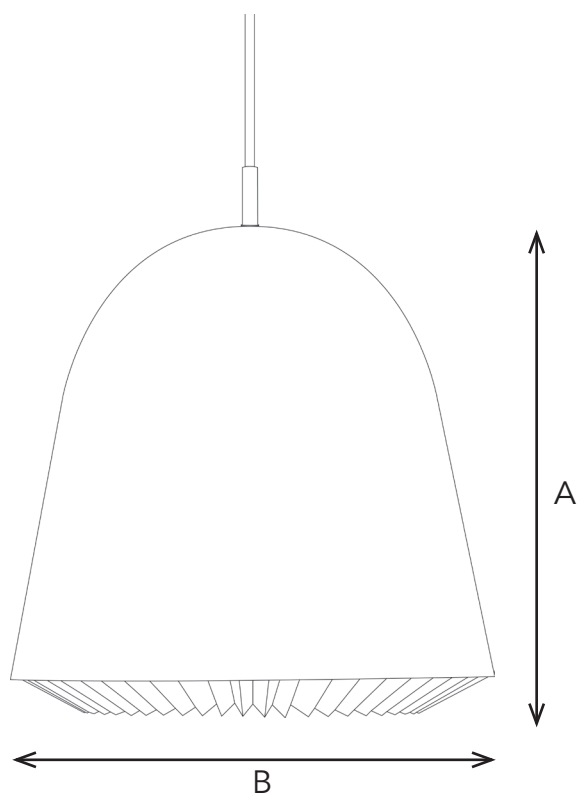


Designer / Design by: Aurélien Barbry

Designår / Year of design: 2014/2015



SPECIFIKATION / SPECIFICATION



| Model | Højde - A | Diam. - B | Materiale/ Farve | Diffuser | Anbefalet wattage |
|--------|------------|-----------|-----------------------|-------------------------------------|---------------------------|
| Model | Height - A | Diam. - B | Material/ Colour | Diffuser | Recommended Wattage |
| 155XSB | 16 | 16 | Alu/Sort Alu/Black | Plisseret plast/ Pleated plastic | 5 W LED (E14) Retrofit |
| 155XSG | 16 | 16 | Alu/Grå Alu/Grey | Plisseret plast/ Pleated plastic | 5 W LED (E14) Retrofit |
| 155SB | 21 | 20 | Alu/Sort Alu/Black | Plisseret plast/ Pleated plastic | 6 W LED Retrofit |
| 155SG | 21 | 20 | Alu/Grå Alu/Grey | Plisseret plast/ Pleated plastic | 6 W LED Retrofit |
| 155MB | 32 | 30 | Alu/Sort Alu/Black | Plisseret plast/ Pleated plastic | 10 W LED Retrofit |
| 155MG | 32 | 30 | Alu/Grå Alu/Grey | Plisseret plast/ Pleated plastic | 10 W LED Retrofit |
| 155LB | 42 | 40 | Alu/Sort Alu/Black | Plisseret plast/ Pleated plastic | 10 W LED Retrofit |
| 155LG | 42 | 40 | Alu/Grå Alu/Grey | Plisseret plast/ Pleated plastic | 10 W LED Retrofit |
| 155XLB | 25 | 55 | Alu/Sort Alu/Black | Plisseret plast/ Pleated plastic | 12 W LED Retrofit |
| 155XLG | 25 | 55 | Alu/Grå Alu/Grey | Plisseret plast/ Pleated plastic | 12 W LED Retrofit |

Alle skærme er håndfoldet i Odense, Danmark. Dette betyder at hvert produkt er unikt og skal behandles forsigtigt for at undgå at beskadige skærmen. Følg derfor altid instruktionen når du håndterer en skærm fra LE KLINT.

Every shade is hand folded in Odense, Denmark. This means that every product is unique and must be treated carefully to avoid breakage. Therefore you should always follow the instruction when handling a shade from LE KLINT.

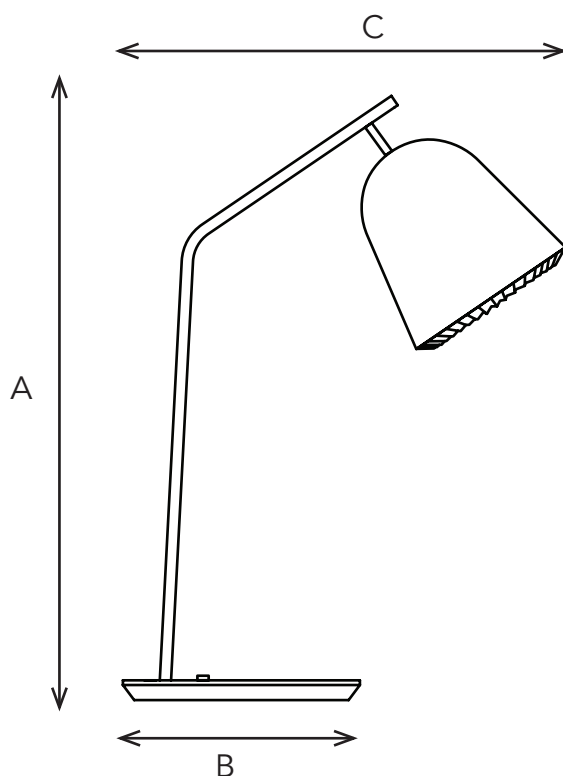
MODEL 355T



Designer / Design by: Aurélien Barbry

Designår / Year of design: 2015

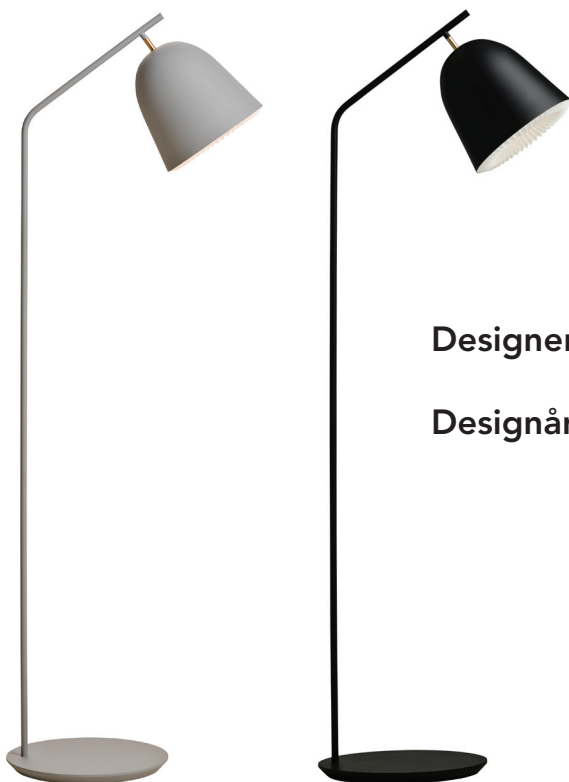
SPECIFIKATION / SPECIFICATION



| Model | Materiale | Højde - A | Diam. - B | Dybde - C | Anbefalet wattage |
|-------|---|------------|-----------|-----------|---------------------|
| Model | Material | Height - A | Diam. - B | Depth - C | Recommended Wattage |
| 355TB | Alu/stål - Mat sort lak Alu/Steel - Black matt | 57 | 20 | 40 | 5 W LED (E14) |
| 355TG | Alu/stål - Mat grå lak Alu/Steel - Grey matt | 57 | 20 | 40 | 5 W LED (E14) |

Alle skærme er håndfoldet i Odense, Danmark. Dette betyder at hvert produkt er unikt og skal behandles forsigtigt for at undgå at beskadige skærmen. Følg derfor altid instruktionen når du håndterer en skærm fra LE KLINT.

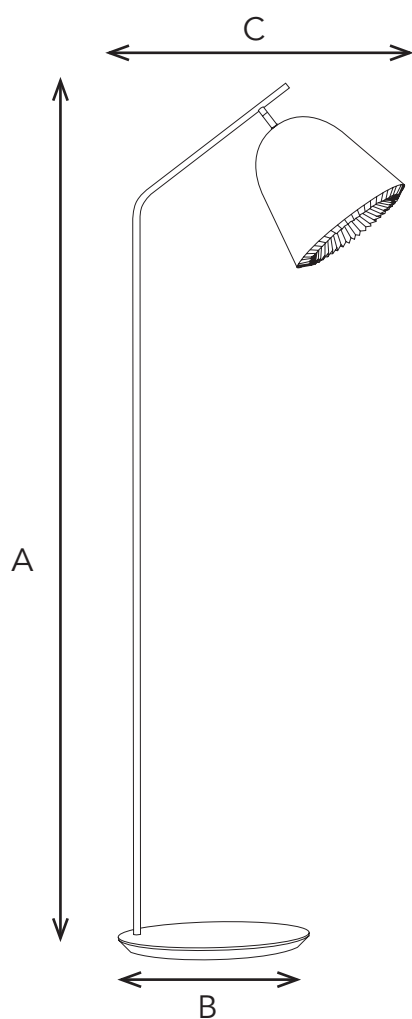
Every shade is hand folded in Odense, Denmark. This means that every product is unique and must be treated carefully to avoid breakage. Therefore you should always follow the instruction when handling a shade from LE KLINT.



Designer / Design by: Aurélien Barbry

Designår / Year of design: 2014

SPECIFIKATION / SPECIFICATION



| Model | Materiale | Højde - A | Diam. - B | Dybde - C | Anbefalet wattage |
|-------|---|------------|-----------|-----------|---------------------|
| Model | Material | Height - A | Diam. - B | Depth - C | Recommended Wattage |
| 355B | Alu/stål - Mat sort lak Alu/Steel - Black matt | 130 | 30 | 45 | 6 W LED |
| 355G | Alu/stål - Mat grå lak Alu/Steel - Grey matt | 130 | 30 | 45 | 6 W LED |

Alle skærme er håndfoldet i Odense, Danmark. Dette betyder at hvert produkt er unikt og skal behandles forsigtigt for at undgå at beskadige skærmen. Følg derfor altid instruktionen når du håndterer en skærm fra LE KLINT.

Every shade is hand folded in Odense, Denmark. This means that every product is unique and must be treated carefully to avoid breakage. Therefore you should always follow the instruction when handling a shade from LE KLINT.