

Candeo Air (2016)

The Candeo lamp is ideal either as a mood creator or a bright light device. The colour temperature is easy to adjust from warm white to pure white using the toggle switch at the top of the shade.

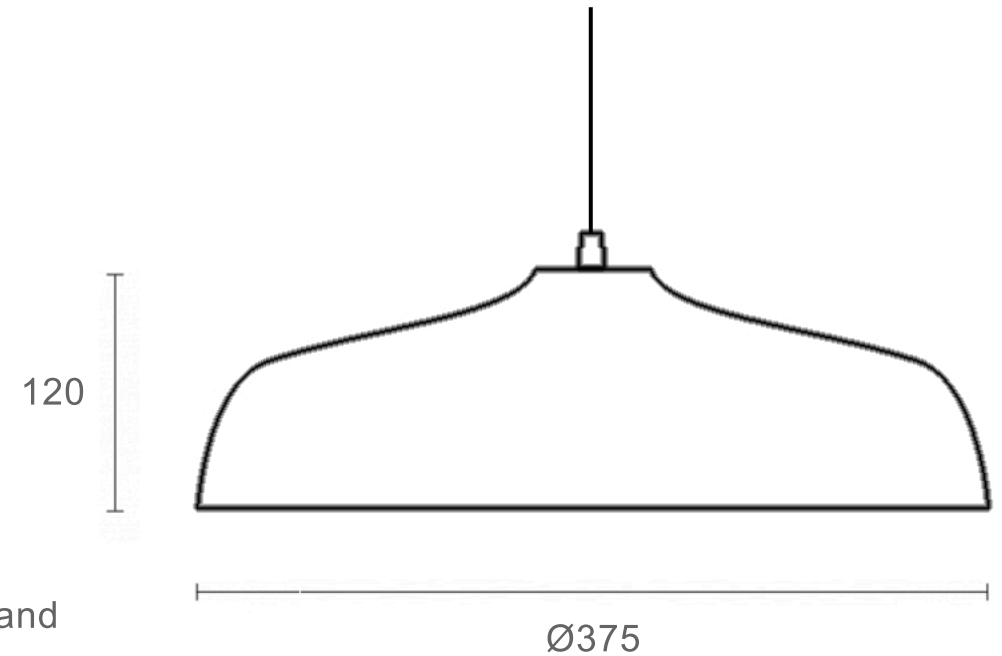
KATRIINA NUUTINEN



Designer (born 1983)

Katriina Nuutinen studied applied art and design at the University of Art and Design of Aalto University and graduated as a Master of Art in 2011. She has supplemented her studies during an exchange student year in 2009 at the Stockholm Konstfack – University College of Arts, Crafts and Design. In 2011 Nuutinen was selected Finnish Talent of the Year at the MUOTO2011 Gala in Helsinki.

Nuutinen works in her own design company in Joensuu. She has successfully taken part in numerous international exhibitions, for instance in Tokyo, New York, Paris, Milan, and Stockholm. Nuutinen is a founding member of the designer collective Kaamos.



Size: Ø 375 x 120 mm

Therapy distance: 55 cm (2500 lx), 27 cm (10 000 lx)

Lamp base: Led

Material: PMMA acrylic, aluminum

IP class: IP 20

Including light source: Yes

Weight: 2,8 kg

Cord length: 2,5 m

Electronic ballast: electronic